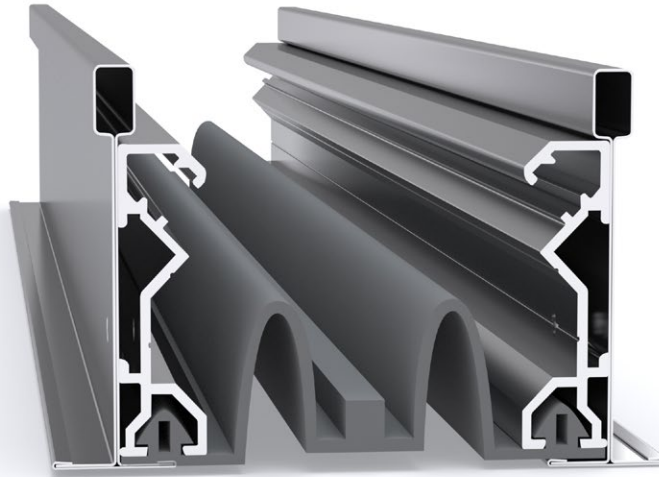
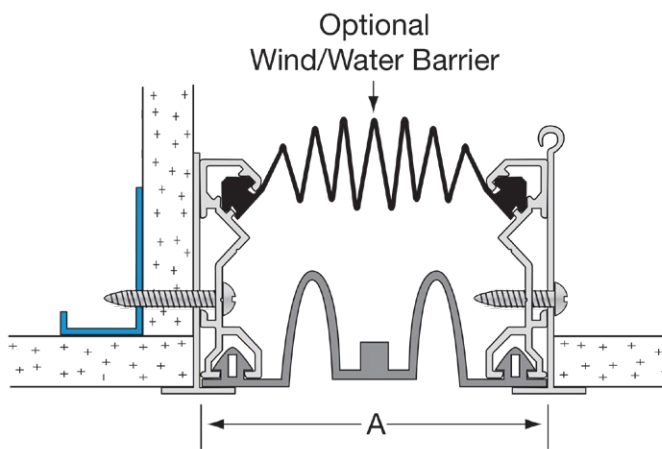


Latham Wall-Line Series Aluminium Expansion Joint Cover
VL



Illustrated: VL-60



Aluminium Code	A	Movement	Total Available Movement
VL-60	60	+50/-25mm	75mm
VL-75	75	+50/-25mm	75mm

FEATURES

- Aluminium wall and ceiling expansion joint cover.
- Can carry a concertinaed water/wind barrier if required.

MATERIALS

- Aluminium 6063-T5 mill finish alloy.
- Grey neoprene inserts (standard), black available on request.
- Supplied in 3050mm lengths.

FURTHER TECHNICAL SPECIFICATIONS

- [Website Link - PDF and DWG Details](#)
- [Product Information](#)
- [Joint Specifications](#)
- [Fire Rated Systems](#)
- [Full Product Catalogue](#)
- [Architectural Specifications](#)
- [Warranty](#)



multi directional
6-way movement



indoor & out-
door use



wind/water
barrier