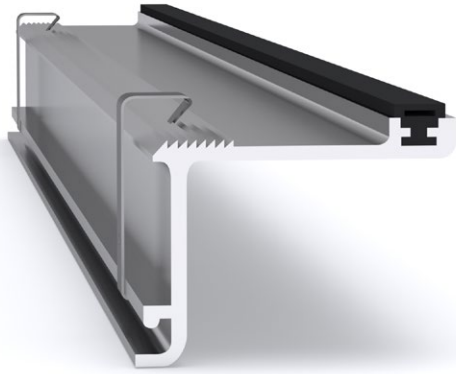


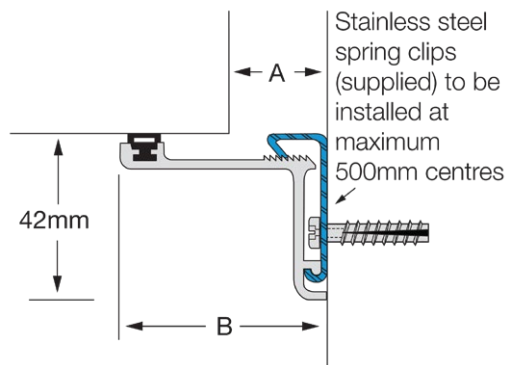
Latham Wall-Line Series Aluminium Expansion Joint Cover SL



25SL - Top View



25SL - Bottom View



Aluminium Code	A	B	Movement	Total Available Movement	Overall Depth
Type 25SL	25	47	+/-12mm	24mm	6mm
Type 50SL	50	75	+/-22mm	44mm	6mm
Type 75SL	75	150	+/-60mm	120mm	6mm
Type 100SL	100	150	+/-40mm	80mm	6mm



FEATURES

- Aluminium wall-to-ceiling expansion joint cover.
- Suitable for fixing to masonry, timber, cement sheet, gyprock and other hard surfaced applications.

MATERIALS

- Aluminium 6063-T5 mill finish alloy.
- Supplied in 3050mm lengths.
- Stainless steel spring clips.
- All visual surfaces come with a 20 micron clear anodised finish (contact a Latham representative for alternative anodising or powder coating options).

FIXINGS

- The joint clips onto the wall or ceiling with a pre-fixed locking mechanism (hidden from external view) at ~500mm centres.

FURTHER TECHNICAL SPECIFICATIONS

- [Website Link - PDF and DWG Details](#)
- [Product Information](#)
- [Joint Specifications](#)
- [Fire Rated Systems](#)
- [Full Product Catalogue](#)
- [Architectural Specifications](#)
- [Warranty](#)



multi directional
2-way movement



indoor use