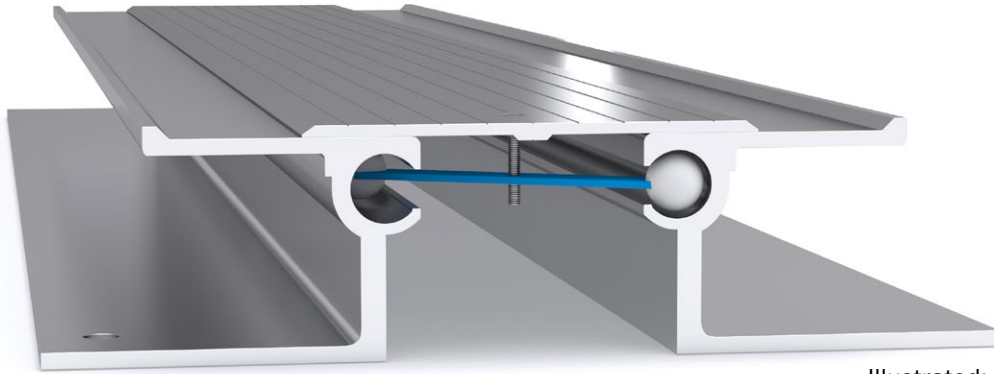
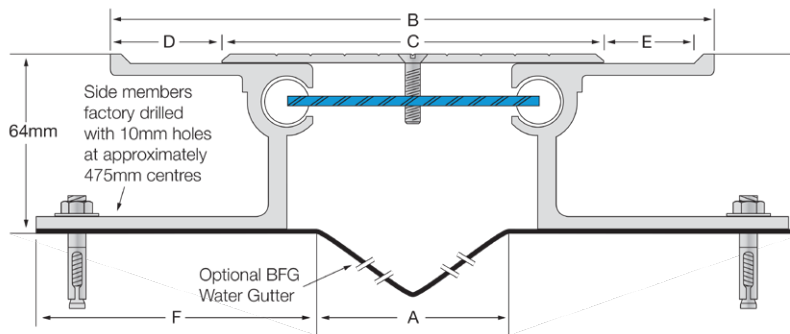


Latham Ultimate Series Aluminium Expansion Joint Cover SAA (FASM 64)



Illustrated: SAA-55 (FASM 64)



Aluminium Code ribbed deck	A	B	C	D	E	F	Movement	Total Available Movement	Overall Depth	Cover Plate Thickness
SAA-30 (FASM 64)	30	182	100	40	35	101	+65/-20mm	85mm	64mm	3mm
SAA-55 (FASM 64)	55	207	125	40	35	101	+65/-45mm	110mm	64mm	4mm
SAA-80 (FASM 64)	80	232	150	40	35	101	+/-65mm	130mm	64mm	5mm
SAA-105 (FASM 64)	105	257	175	40	35	101	+/-65mm	130mm	64mm	5mm
SAA-130 (FASM 64)*	130	282	200	40	35	101	+/-65mm	130mm	64mm	6mm
SAA-155 (FASM 64)*	155	307	225	40	35	101	+/-65mm	130mm	64mm	6mm

*Denotes smooth cover plate.

FEATURES

- Aluminium floor expansion joint cover.
- Robust system suited to pedestrian applications.
- 64mm depth below floor finish.
- Installed with terrazzo tiles, pavers, timber, stone, etc.

MATERIALS

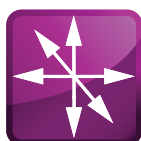
- Aluminium 6063-T5 mill finish alloy.
- Supplied in 3050mm lengths.
- Spring steel treated centering bar with nylon spherical balls (at ~475mm centres).

FIXINGS

- Side member pre-drilled at ~475mm centres for 10mm fasteners.

FURTHER TECHNICAL SPECIFICATIONS

- [Website Link - PDF and DWG Details](#)
- [Product Information](#)
- [Joint Specifications](#)
- [Fire Rated Systems](#)
- [Full Product Catalogue](#)
- [Architectural Specifications](#)
- [Warranty](#)



multi directional
6-way movement



indoor & out-
door use



BFG water
gutter



fire rated (joint
widths >50mm)