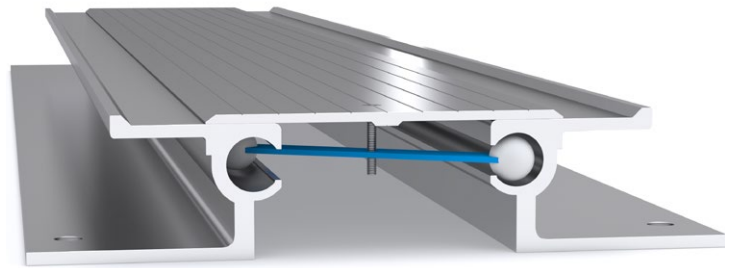
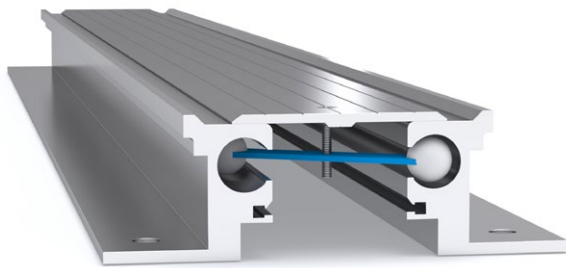
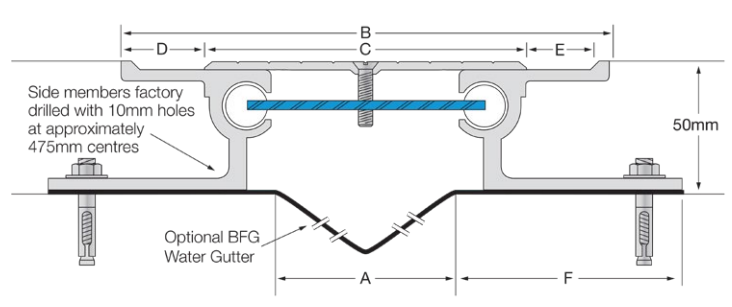
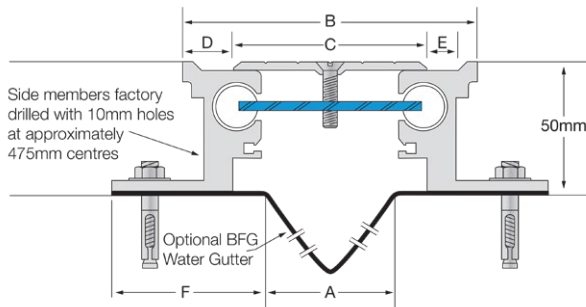


Latham Ultimate Series Aluminium Expansion Joint Cover SAA (FASM 50)



SAA-25 (FASM 50) to SAA-50 (FASM 50)

SAA-44 (FASM 50) to SAA-150 (FASM 50)



Aluminium Code ribbed deck	A	B	C	D	E	F	Movement	Total Available Movement	Overall Depth	Cover Plate Thickness
SAA-25 (FASM 50)	25	87	50	18	13	60	+20/-15mm	35mm	50mm	3mm
SAA-50 (FASM 50)	50	113	75	18	13	60	+20/-25mm	45mm	50mm	3mm
SAA-44 (FASM 50)	44	163	100	32	26	87	+50/-30mm	80mm	50mm	3mm
SAA-75 (FASM 50)	70	189	125	32	26	87	+50/-50mm	100mm	50mm	4mm
SAA-100 (FASM 50)	95	214	150	32	26	87	+50/-50mm	100mm	50mm	4mm
SAA-125 (FASM 50)*	110	239	175	32	26	87	+50/-50mm	100mm	50mm	5mm
SAA-150 (FASM 50)*	145	264	200	32	26	87	+50/-50mm	100mm	50mm	5mm

*Denotes smooth cover plate.



FEATURES

- Aluminium floor expansion joint cover.
- Robust system suited to pedestrian applications.
- 50mm depth below floor finish.
- Installed with terrazzo tiles, pavers, timber, stone, etc.

MATERIALS

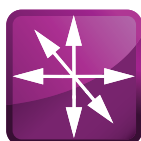
- Aluminium 6063-T5 mill finish alloy.
- Supplied in 3050mm lengths.
- Spring steel treated centering bar with nylon spherical balls (at ~475mm centres).

FIXINGS

- Side member pre-drilled at ~475mm centres for 10mm fasteners.

FURTHER TECHNICAL SPECIFICATIONS

- [Website Link - PDF and DWG Details](#)
- [Product Information](#)
- [Joint Specifications](#)
- [Fire Rated Systems](#)
- [Full Product Catalogue](#)
- [Architectural Specifications](#)
- [Warranty](#)



multi directional
6-way movement



indoor & out-
door use



BFG water
gutter



fire rated (joint
widths >50mm)