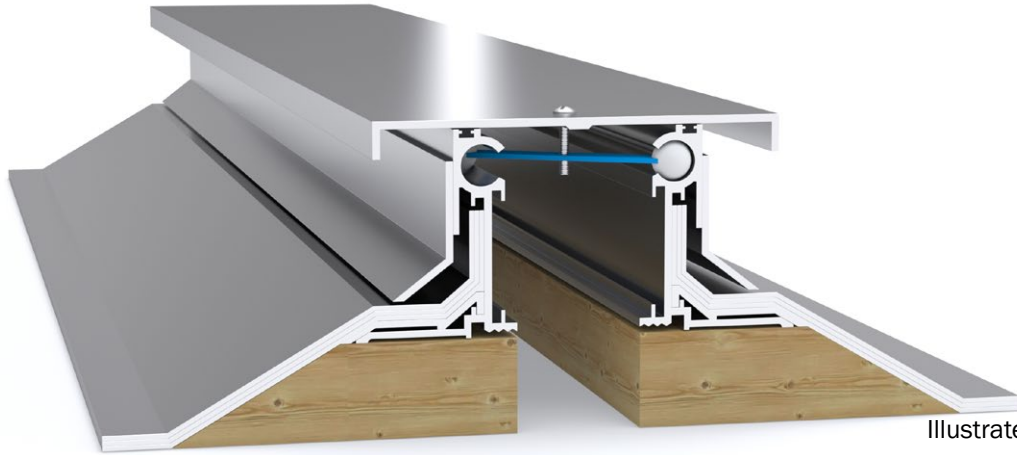
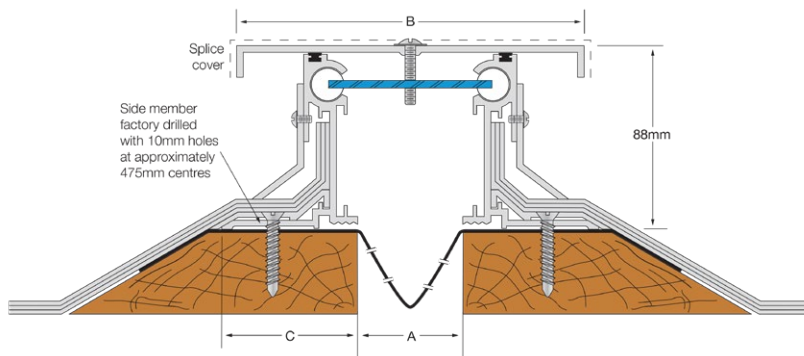


Latham Roof-Line Series Aluminium Expansion Joint Cover

FR



Illustrated: FR-50



Aluminium Code	A	B	C	Movement	Total Available Movement	Overall Depth
FR-25	25	114	64	+25/-17mm	43mm	88mm
FR-50	50	165	64	+50/-43mm	92mm	88mm
FR-75	75	190	64	+50/-67mm	117mm	88mm
FR-100	100	215	64	+50/-92mm	142mm	88mm
FR-150	150	265	64	+50/-142mm	192mm	88mm

FEATURES

- Elevated aluminium roof expansion joint cover.
- Offers the best protection against water penetrating through the roof slab joint as the side members are installed high above the slabs.
- Comes with standard water/wind barrier and top seal gaskets for the centre plate screw.
- Supplied with 1 splice plate per full length for installation over the junction between 2 plates to maintain water tightness.

MATERIALS

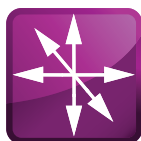
- Aluminium 6063-T5 mill finish alloy.
- Supplied in 3050mm lengths.
- Spring steel treated centering bar with nylon spherical balls (at ~475mm centres).

FIXINGS

- Side member pre-drilled at ~475mm centres for 10mm fasteners.
- Membrane hold down clips are supplied for installation at ~500mm centres.
- End Closures, Transition Splices, Corners and Tees should be considered for roof joints. (Contact a Latham representative for more information)

FURTHER TECHNICAL SPECIFICATIONS

- [Website Link - PDF and DWG Details](#)
- [Product Information](#)
- [Joint Specifications](#)
- [Fire Rated Systems](#)
- [Full Product Catalogue](#)
- [Architectural Specifications](#)
- [Warranty](#)



multi directional
6-way movement



outdoor use



BFG water
gutter



fire rated (joint
widths >50mm)