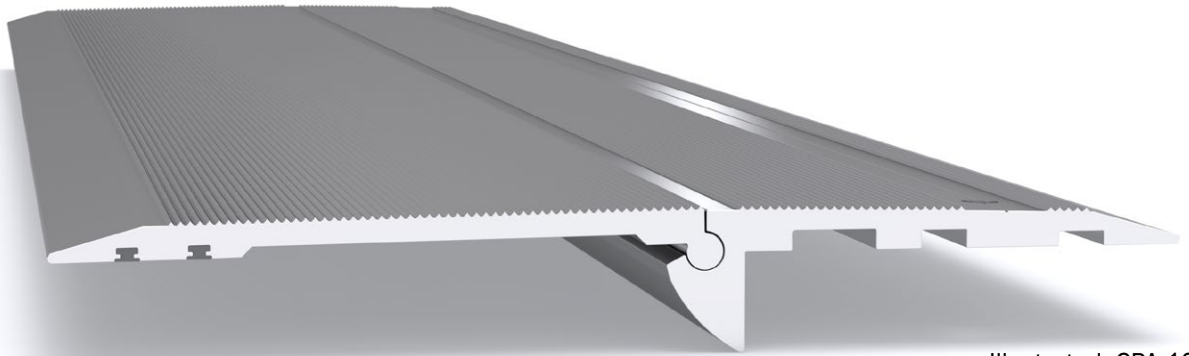
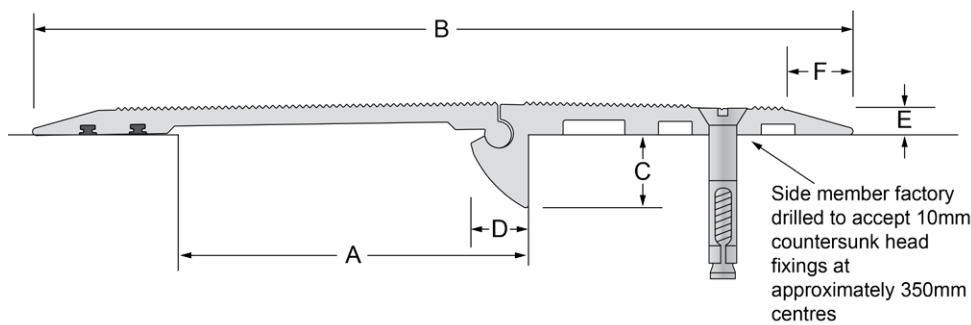


Latham Car Joint Series Aluminium Expansion Joint Cover  
**CPA**



Illustrated: CPA-100



Aluminium Code	A	B	C	D	E	F	Movement	Total Available Movement	Vertical Incline
CPA-100	22-125	305	27	22	10	25	22-130mm	108mm	+/-8°

**FEATURES**

- Aluminium floor expansion joint cover.
- No recess is required, so the CPA-100 is quick and easy to install and assemble.
- Suitable to pedestrian, trolley, and other car park vehicular traffic.

enough to ensure the fixings penetrate to the structural slab).

- Latham recommend the system is bedded on the fixing side with a suitable epoxy bedding compound like Titazel Thixotropic Epoxy Adhesive.

**MATERIALS**

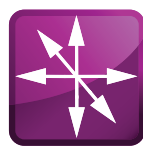
- Aluminium 6063-T5 mill finish alloy.
- Supplied in 3050mm lengths.

**FURTHER TECHNICAL SPECIFICATIONS**

- [Website Link - PDF and DWG Details](#)
- [Product Information](#)
- [Joint Specifications](#)
- [Fire Rated Systems](#)
- [Full Product Catalogue](#)
- [Architectural Specifications](#)
- [Warranty](#)

**FIXINGS**

- One side member is pre-drilled at ~350mm centres for 10mm countersunk head fixings (must be long



multi directional 6-way movement



indoor & outdoor use



vehicular