

SAC + SACL Wall-Line Series -Acoustic Ceiling

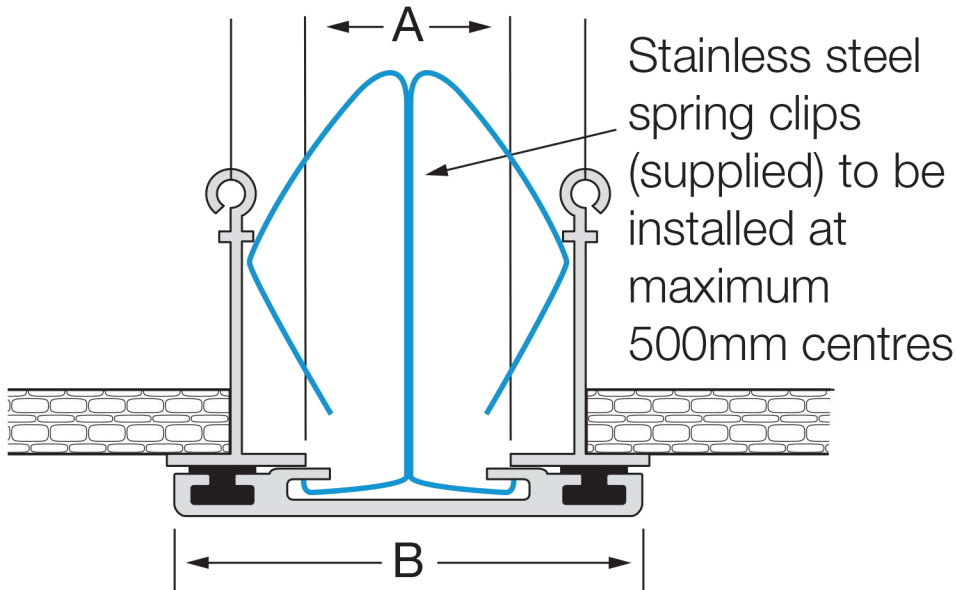
Flexible Expansion Joint Cover

LATHAM AUSTRALIA PTY LTD
 14 TENNYSON ROAD GLADESVILLE 2111 AUSTRALIA
 Phone: 61 2 9879 7888 Fax: 61 2 9879 7666
 Web: www.latham-australia.com



Illustrated: 25SAC + 25SACL Scale: Approx. Full Size
 All dimensions are to be verified before construction

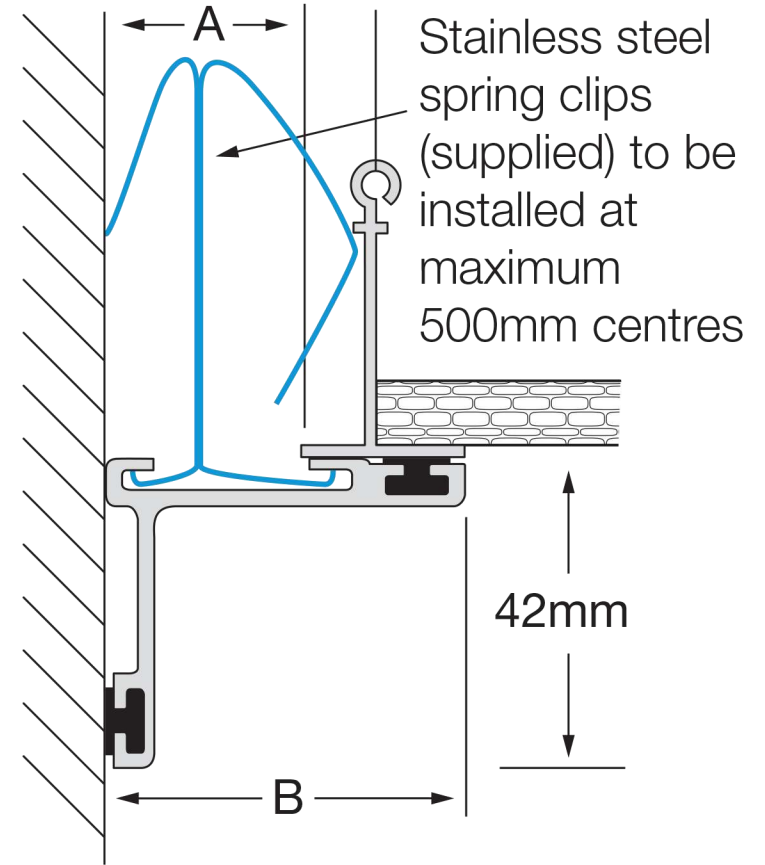
Verified By..... Date.....



Aluminium Code	A	B	Movement	Total Available Movement	Coverplate Depth
Type 25SAC	25	66	+/-25mm	50mm	6mm
Type 50SAC	50	106	+/-30mm	60mm	6mm

All dimensions are in millimetres.

20 micron clear anodised aluminium finish (standard)
 or brass colour anodised aluminium finish (specify brass colour finish).



Aluminium Code	A	B	Movement	Total Available Movement	Coverplate Depth
Type 25SACL	25	53	+/-12mm	25mm	6mm
Type 50SACL	50	90	+/-15mm	30mm	6mm

All dimensions are in millimetres.

Interior use only.
 All mechanical expansion joint fixings by others.
 Design subject to change without notice