

EXSLSM Series - Seismic Movement

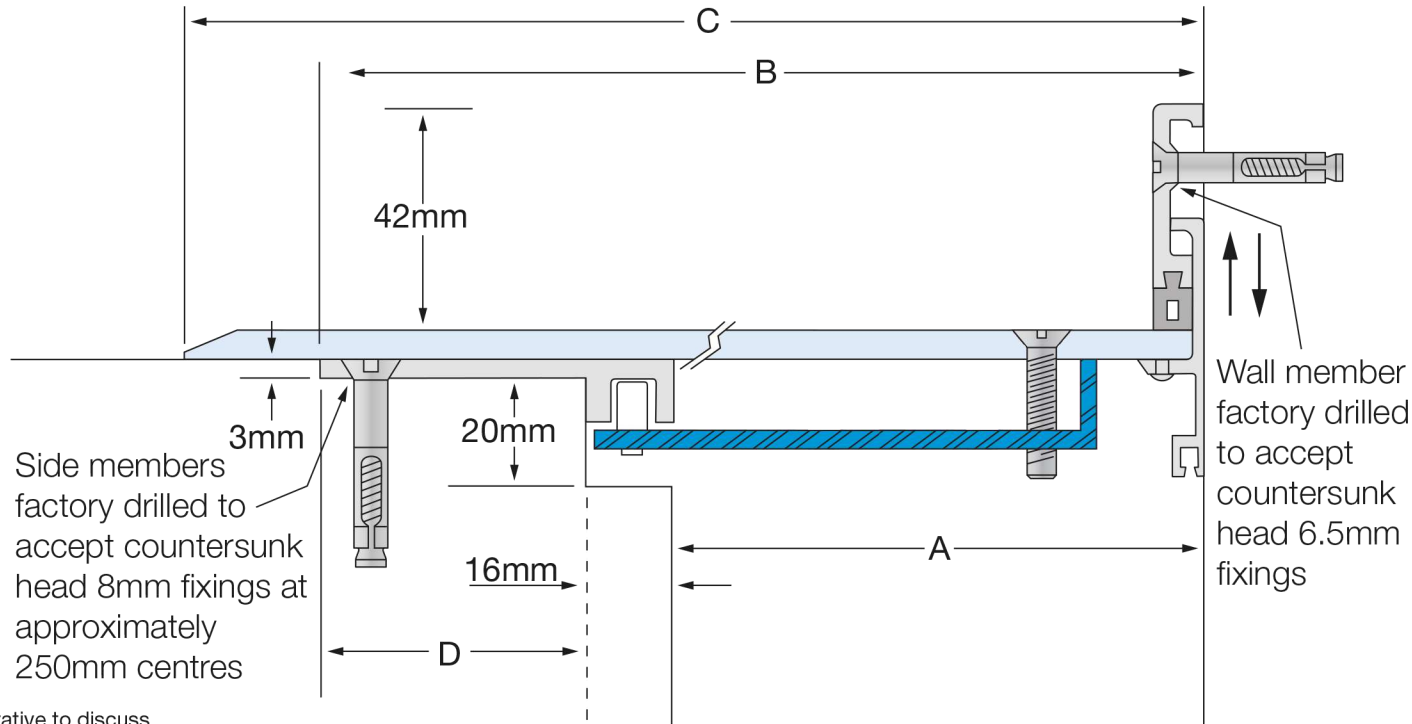
Flexible Mechanical Expansion Joint Cover

LATHAM AUSTRALIA PTY LTD
 14 TENNYSON ROAD GLADESVILLE 2111 AUSTRALIA
 Phone: 61 2 9879 7888 Fax: 61 2 9879 7666
 Web: www.latham-australia.com



Illustrated: EXSLSM-100 Scale: Approx. 70% full size
 All dimensions are to be verified before construction

Verified By..... Date.....



Contact your Latham Representative to discuss the application and specification of this system.

Aluminium Code	A	B	C	D	Movement	Total Available Movement	Overall Depth	Cover Plate Thickness
EXSLSM-100	100	165	225	49	+100/-85mm	185mm	27mm	4mm
EXSLSM-150	150	215	325	49	+150/-135mm	285mm	28mm	5mm
EXSLSM-200	200	265	425	49	+200/-185mm	385mm	29mm	6mm
EXSLSM-250	250	315	525	49	+250/-235mm	485mm	29mm	6mm
EXSLSM-300	300	365	625	49	+300/-285mm	585mm	31mm	8mm
EXSLSM-400	400	465	825	49	+400/-385mm	785mm	31mm	8mm
EXSLSM-500	500	565	1025	49	+500/-485mm	985mm	33mm	10mm
EXSLSM-600	600	665	1225	49	+600/-585mm	1185mm	33mm	10mm

All dimensions are in millimetres.

Exterior/Interior use.

All mechanical expansion joint fixings by others.

The centering bar consists of two elongated spherical rods fastened at opposite ends of a flat spring steel bar. The bar is positioned diagonally across the joint opening with the elongated spherical rods inside the extruded tracks. This unique concept allows for increased rotational movements and maintains constant spring tension at the centre of the cover plate. This greatly reduces the stresses on the embedded anchor sections and the surrounding concrete slabs.

Design subject to change without notice.