

CPA-100 Surface-Line Car Park Series

Flexible Expansion Joint Cover

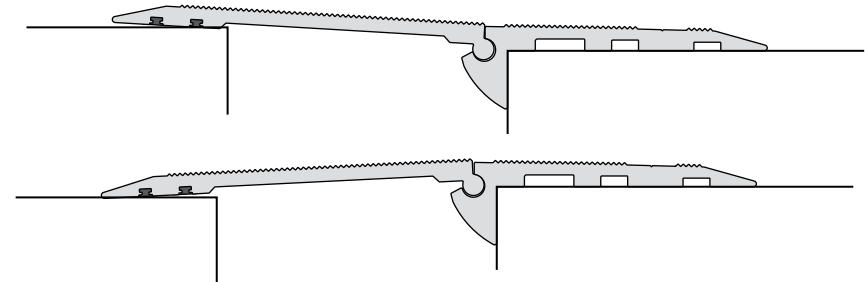
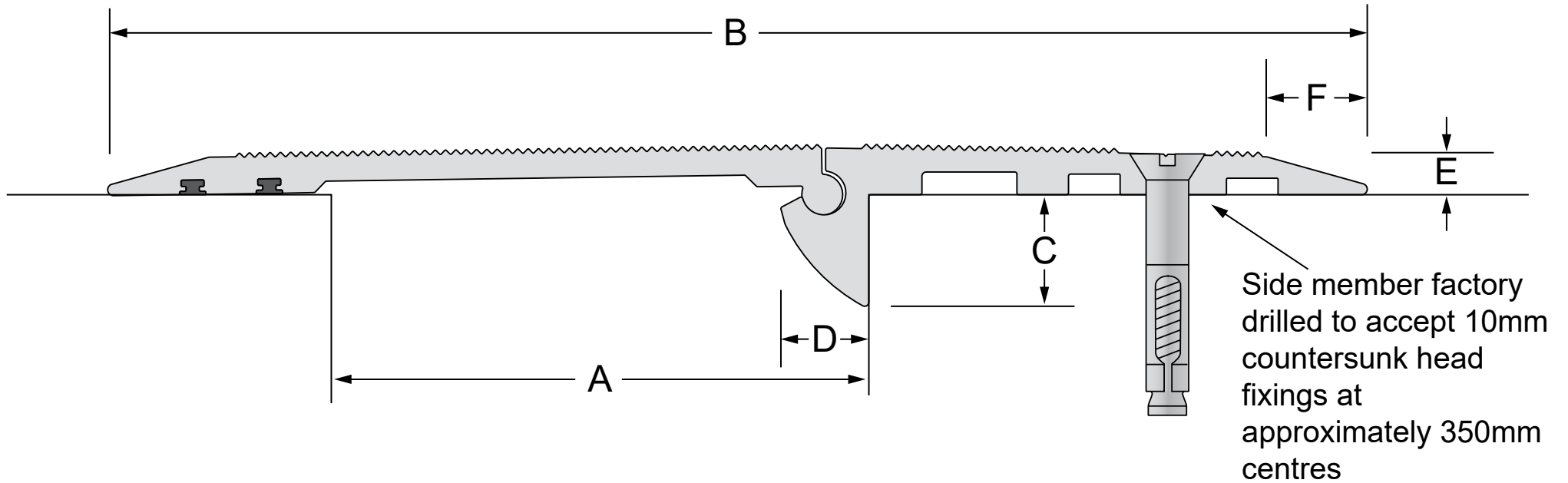
LATHAM AUSTRALIA PTY LTD

14 TENNYSON ROAD GLADESVILLE 2111 AUSTRALIA
 Phone: 61 2 9879 7888 Fax: 61 2 9879 7666
 Web: www.latham-australia.com



Illustrated: CPA-100 Scale: Approx. 75%
 Suitable for joint widths ranging from 22mm-125mm
 All dimensions are to be verified before construction

Verified By..... Date.....



| Aluminium Code ribbed deck | A | B | C | D | E | F | Movement | Total Available Movement | Vertical Incline |
|----------------------------|--------|-----|----|----|----|----|----------|--------------------------|------------------|
| CPA-100 | 22-125 | 305 | 27 | 22 | 10 | 25 | 22-130mm | 108mm | +/-8° |

All dimensions are in millimetres.

Exterior/Interior use.
 All mechanical expansion joint fixings by others.
 Aluminium expansion joint cover
 Design subject to change without notice.

COPYRIGHT © 2020